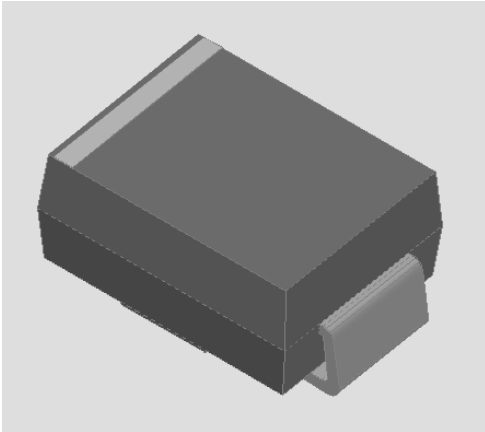
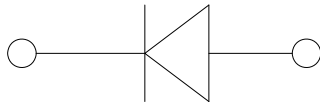


Surface Mount Schottky Rectifier



Features

- Low profile package
- Ideal for automated placement
- Good mechanical strength
- Molding compound meets UL 94 V-0 flammability rating, RoHS-compliant, halogen-free



Terminals: Tin plated leads, solderable per J-STD-002 and JESD22-B102

Polarity: Cathode line denotes the cathode end

Maximum Ratings (T_j=25

| | | | |
|---|------------------|---|-----------|
| | o | A | 5.0 |
| Surge(non-repetitive)forward current @60Hz half-sine wave,1 cycle, T _j =25 | I _{FSM} | A | 120 |
| Storage temperature | T _{stg} | | -55 ~+150 |
| Junction temperature | T _j | | -55 ~+150 |

Electrical Characteristics T_j=25 Unless otherwise specified

| PARAMETER | SYMBOL | UNIT | TEST CONDITIONS | SSL58B |
|---|------------------|------|-----------------------|--------|
| Maximum instantaneous forward voltage drop per diode | V _F | V | I _{FM} =5.0A | 0.58 |
| Maximum DC reverse current at rated DC blocking voltage per diode @ V _{RM} =V _{RSM} | I _{RSM} | mA | T _j =25 | 0.1 |
| | | | T _j =100 | 10 |

Note1:Pulse test:300uS pulse width,1% duty cycle

Note2:Pulse test:pulse width 40mS



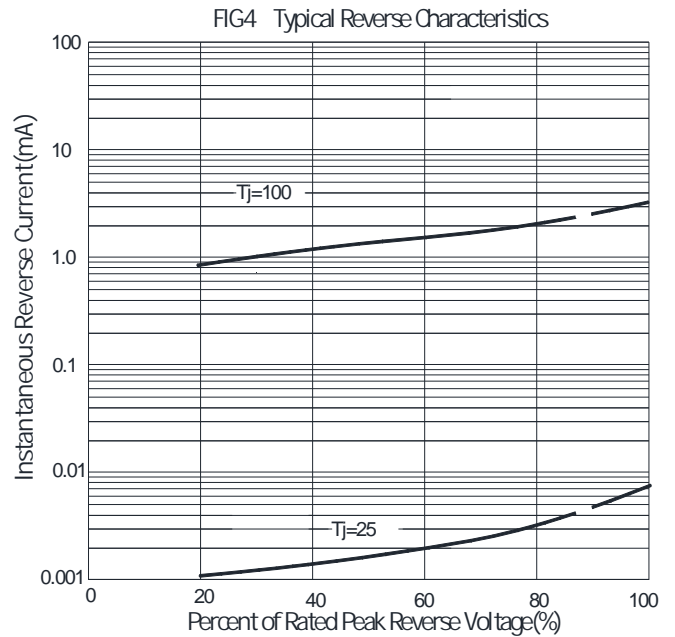
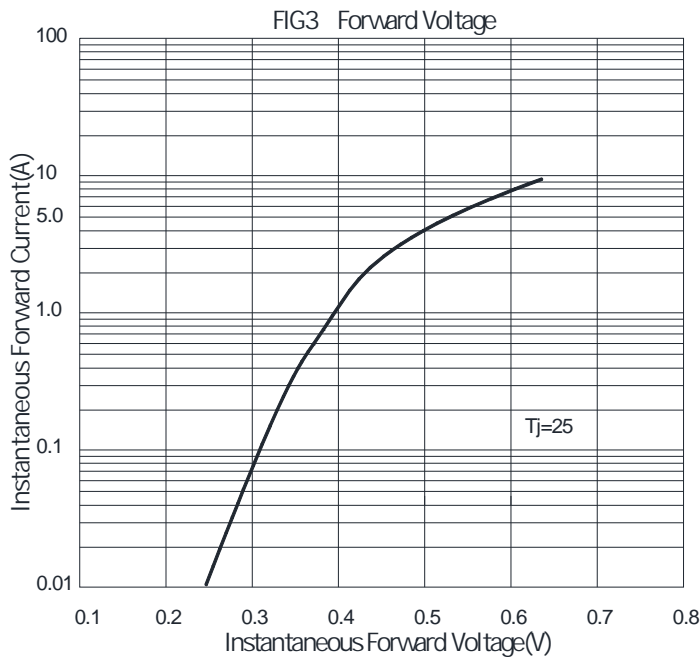
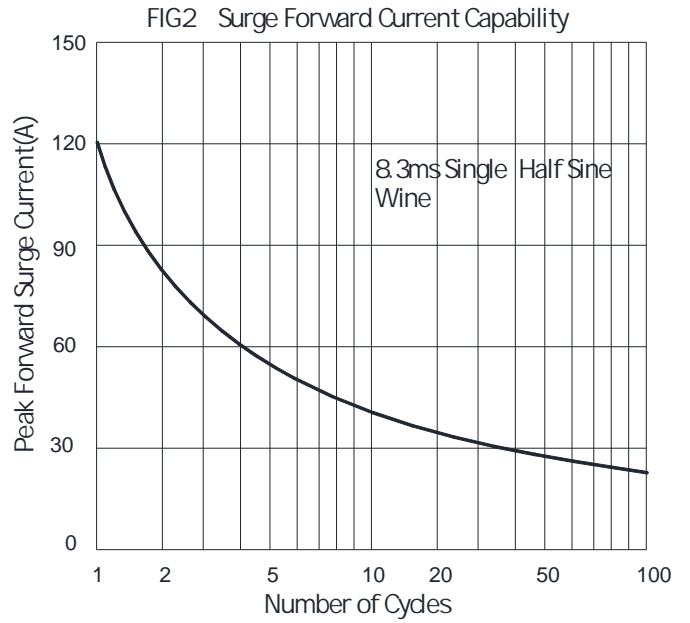
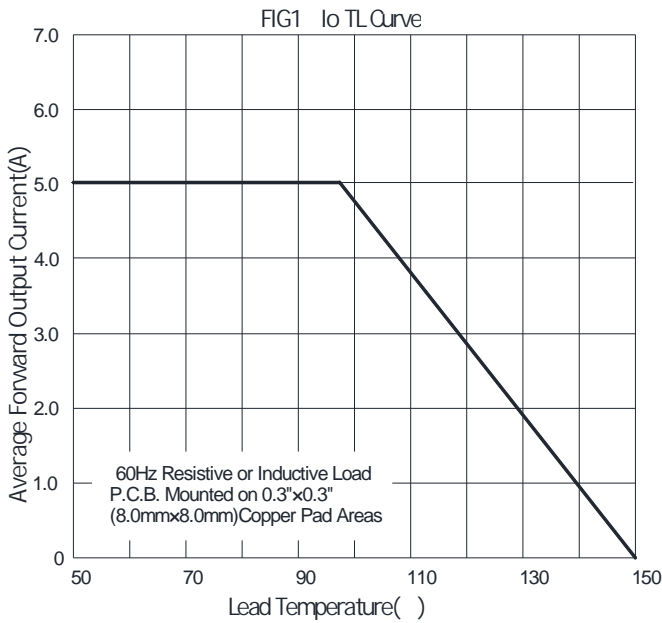
SSL58B

Thermal Characteristics $T_a=25$ Unless otherwise specified

| PARAMETER | SYMBOL | UNIT | SSL58B |
|--------------------|-----------|------|-------------------|
| Thermal resistance | R_{J-A} | /W | 65 ⁽¹⁾ |
| | R_{J-L} | | 16 ⁽¹⁾ |
| | R_{J-C} | | 15 ⁽¹⁾ |

Note:
 (1) Thermal resistance from junction to ambient and from junction to lead mounted on P.C.B. with 0.3" x 0.3" (8.0 mm x 8.0 mm) copper pad areas

Characteristics(Typical)





SSL58B

Ordering Information (Example)

| PREFERED P/N | PACKING CODE | UNIT WEIGHT(g) | MINIMUM PACKAGE(pcs) | INNER BOX QUANTITY(pcs) | OUTER CARTON QUANTITY(pcs) | DELIVERY MODE |
|--------------|--------------|-------------------|----------------------|-------------------------|----------------------------|---------------|
| SSL58B | F1 | Approximate 0.096 | 3000 | / | 48000 | 13" reel |
| SSL58B | F2 | Approximate 0.096 | 750 | 3000 | 24000 | 7" reel |



Disclaimer

The information presented in this document is for reference only. Yangzhou Yangjie Electronic Technology Co., Ltd. reserves the right to make changes without notice for the specification of the products displayed herein to improve reliability, function or design or otherwise.

The product listed herein is designed to be used with ordinary electronic equipment or devices, and not designed to be used with equipment or devices which require high level of reliability and the malfunction of which would directly endanger human life (such as medical instruments, transportation equipment, aerospace machinery, nuclear-reactor controllers, fuel controllers and other safety devices), Yangjie or anyone on its behalf, assumes no responsibility or liability for any damages resulting from such improper use of sale.

This publication supersedes & replaces all information previously supplied. For additional information, please visit our website [http:// www.21yangjie.com](http://www.21yangjie.com) , or consult your nearest Yangjie's sales office for further assistance.