

Schottky Diodes



Features

- High frequency operation
- Low forward voltage drop
- High purity, high temperature epoxy encapsulation for enhanced mechanical strength and moisture resistance
- Guard ring for enhanced ruggedness and long term reliability
- Solder dip 275 °C max. 7 s, per JESD 22-B106

Typical Applications

Typical applications are in switching power supplies, converters, freewheeling diodes, and reverse battery protection.

Mechanical Data

Package: TO-220AB

Molding compound meets UL 94 V-0 flammability rating, RoHS-compliant

Terminals: Tin plated leads, solderable per J-STD-002 and JESD22-B102

Polarity: As marked

Maximum Ratings (T_j=25 Unless otherwise specified)

PARAMETER	SYMBOL	UNIT	MBR40100CT
Device marking code			MBR40100CT
Repetitive Peak Reverse Voltage	V _{RRM}	V	100
Average Rectified Output Current @60Hz sine wave, R-load, T _c =95	I _O	A	40
Surge(Non-repetitive)Forward Current @60Hz half sine-wave, 1 cycle, T _j =25	I _{FSM}	A	300
Current Squared Time @1ms t 8.3ms T _j =25	I ² t	A ² s	373
Storage Temperature	T _{stg}		-55 ~ +175
Junction Temperature	T _j		-55 ~ +175

Electrical Characteristics T_j=25 Unless otherwise specified

	1	V	I _{FM} =20.0A	0.85
Maximum DC reverse current at rated DC blocking voltage per diode	I _{RRM1} ²	mA	V _{RM} =V _{RRM} T _j =25	0.1
	I _{RRM2} ²		V _{RM} =V _{RRM} T _j =125	20

Note1:Pulse test:300uS pulse width,1% duty cycle

Note2:Pulse test:pulse width 40mS



MBR40100CT

Thermal Characteristics $T_j=25$ Unless otherwise specified

PARAMETER		SYMBOL	UNIT	MBR40100CT
Thermal Resistance	Between junction and case	R_{j-c}	/W	2.0

Ordering Information (Example)

PREFERED P/N	UNIT WEIGHT(g)	MINIIMUM PACKAGE(pcs)	INNER BOX QUANTITY(pcs)	OUTER CARTON QUANTITY(pcs)	DELIVERY MODE
MBR40100CT	Approximate 1.9	50	1000	5000	Tube

Characteristics (Typical)

FIG1:Io -Tc Curve

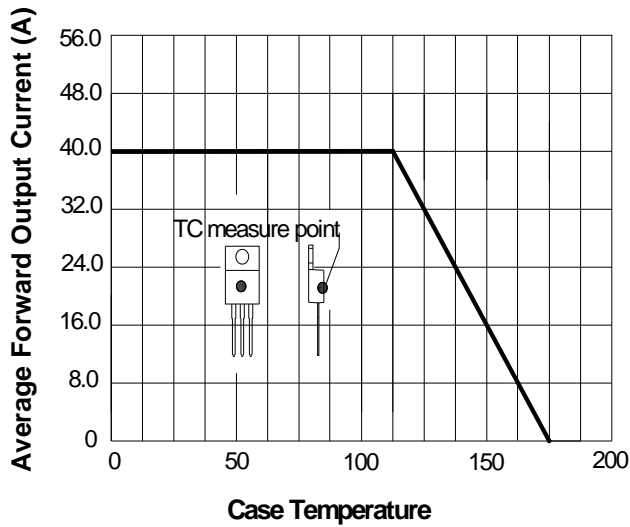
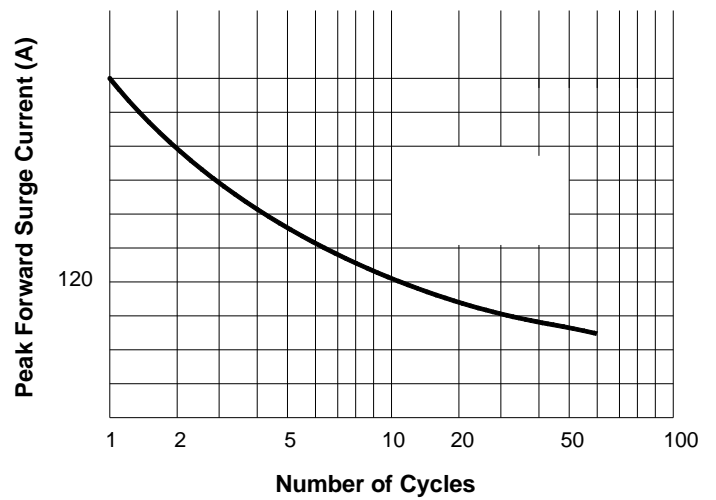
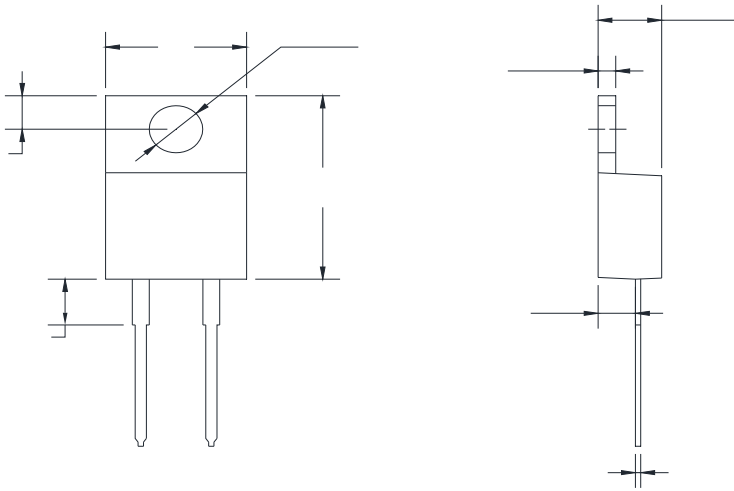


FIG2:Surge Forward Current Capability





Outline Dimensions





Disclaimer

The information presented in this document is for reference only. Yangzhou Yangjie Electronic Technology Co., Ltd. reserves the right to make changes without notice.