



High reliability  
Very sharp reverse characteristic  
Low reverse current level  
Zener Voltage 25V

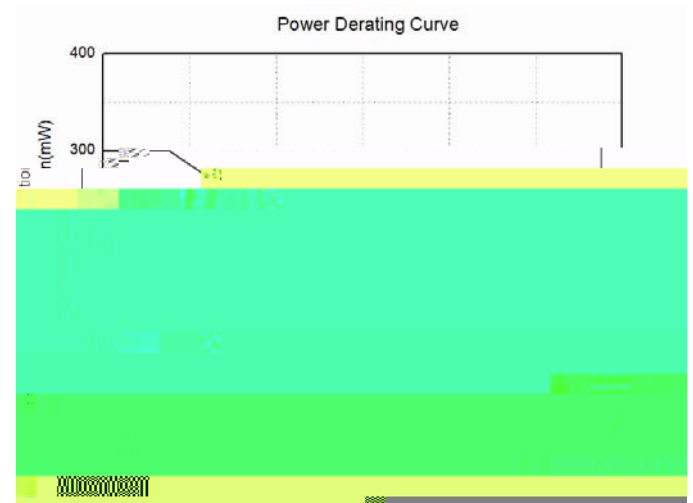
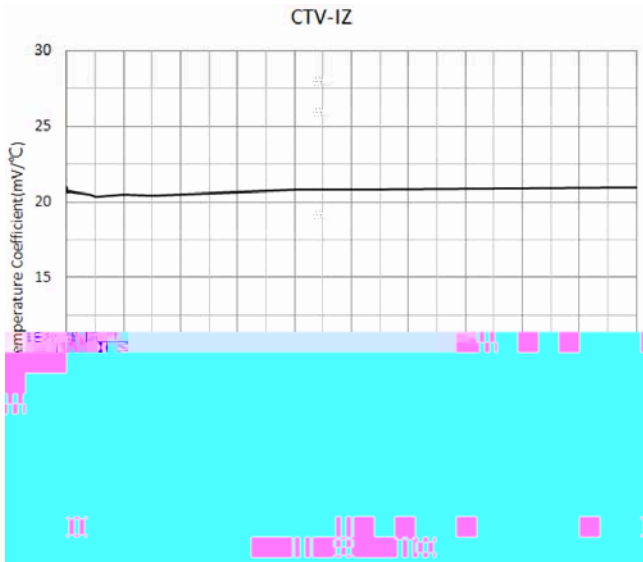
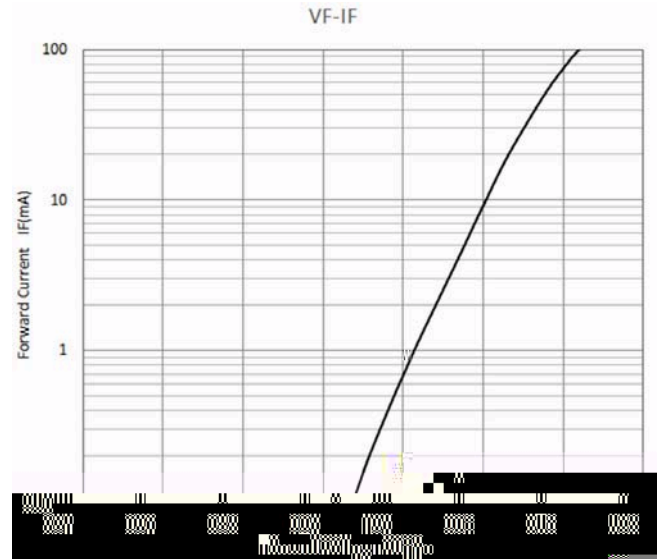
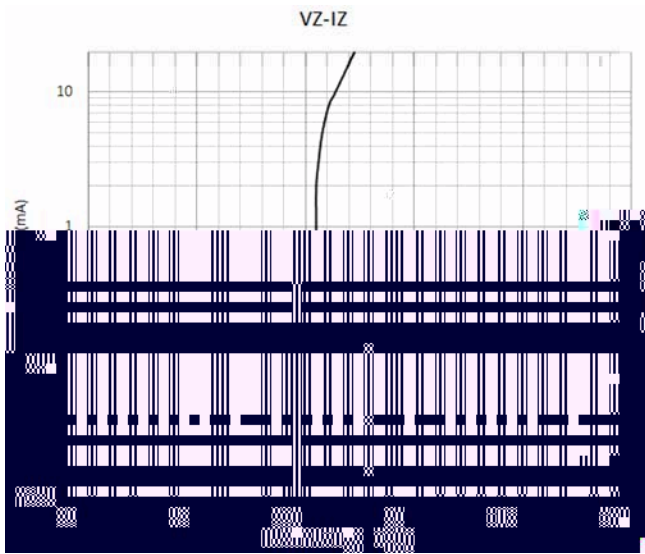
SOD-323  
Tin plated leads, solderable per  
J-STD-002 and JESD22-B102  
Cathode line denotes the cathode end

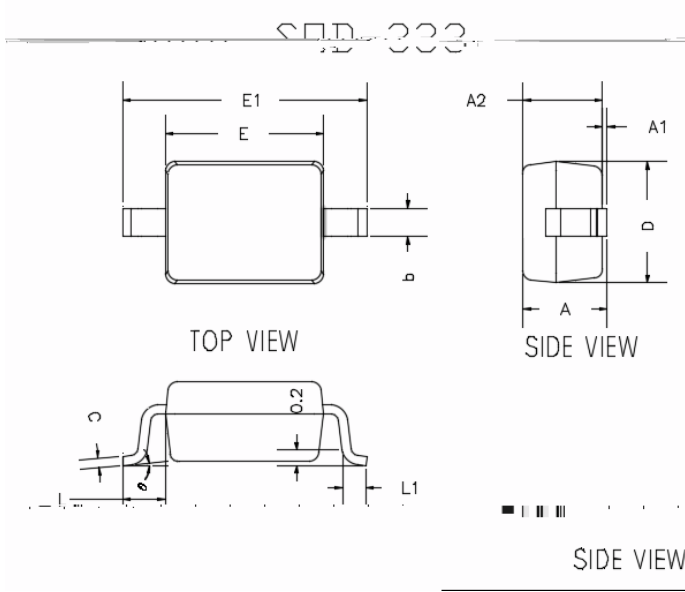
( $T_a=25$  Unless otherwise specified)

Power Dissipation (*Note)	$P_D$	mW	300
Storage Temperature Range	$T_{stg}$	°C	-55~+150
Junction Temperature	$T_J$	°C	-55~+150
Maximum Regulator Current	$I_{ZM}$	mA	$P_D / V_z$

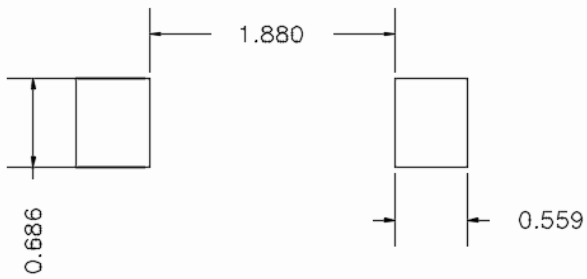
I

(Typical)





DIMENSIONS				
DIM	INCHES		MM	
	MIN	MAX	MIN	MAX
A	---	0.0393	---	1.0000
A1	0.0000	0.0039	0.0000	0.1000
A2	0.0314	0.0354	0.8000	0.9000
b	0.0098	0.0157	0.2500	0.4000
0.1500	0.0039	0.0039	0.0059	0.0800
1.4000	---	0.0472	0.0551	1.2000
1.8000	---	0.0629	0.0791	1.6000
2.7000	E1	0.0984	0.1063	2.5000
---	L	0.0187 TYP.		0.475 TYP.
0.400	L1	0.0098	0.0157	0.250
8°	θ	α	8°	α



UNIT: mm

~~SUGGESTED SOLDER PAD LAYOUT~~

---

S Y R