

## Dual NPN Small Signal Transistor



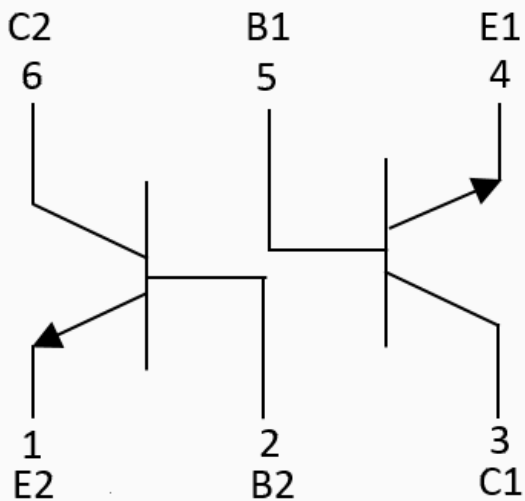
### Features

- " Epoxy meets UL-94 V-0 flammability rating
- " Surface mount package ideally Suited for Automatic Insertion
- " NPN

### Mechanical Data

- " Package: SOT-363
- " Terminals: Tin plated leads, solderable per J-STD-002 and JESD22-B102
- " Marking: K6N

### Equivalent circuit





# MMDT3904

Maximum Ratings (Ta=25 Unless otherwise specified)

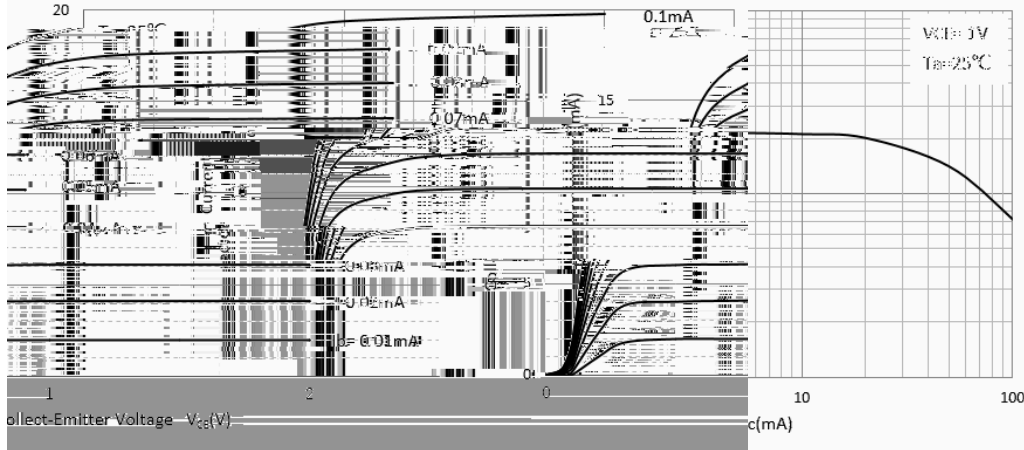
Item	Symbol	Unit	Conditions	Value
------	--------	------	------------	-------



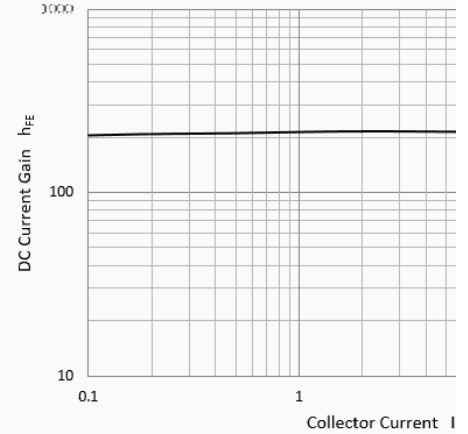
# MMDT3904

## Characteristics (Typical)

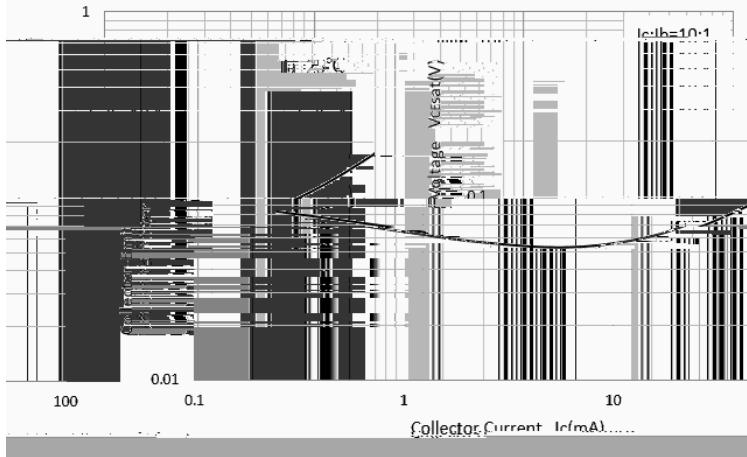
Static Characteristic



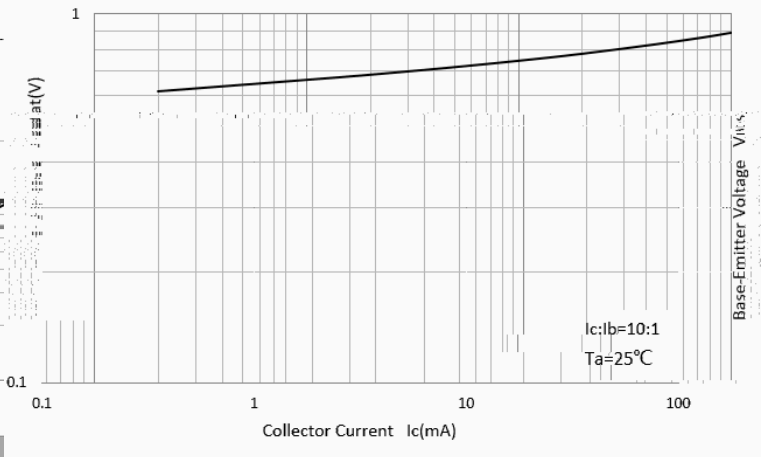
DC Current Gain



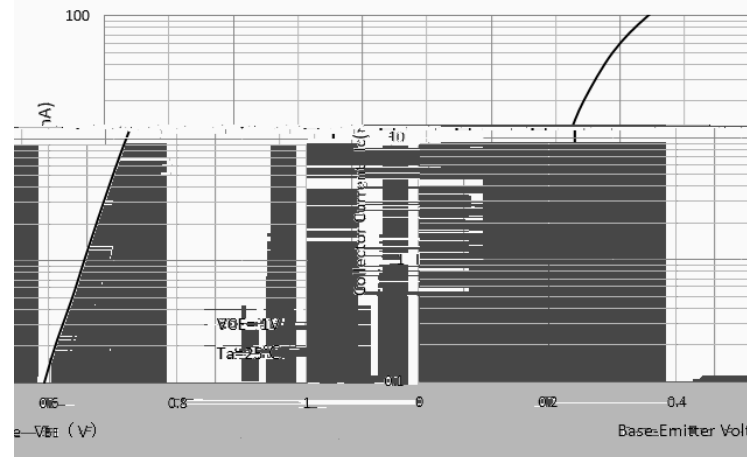
Collector-Emitter Saturation Voltage



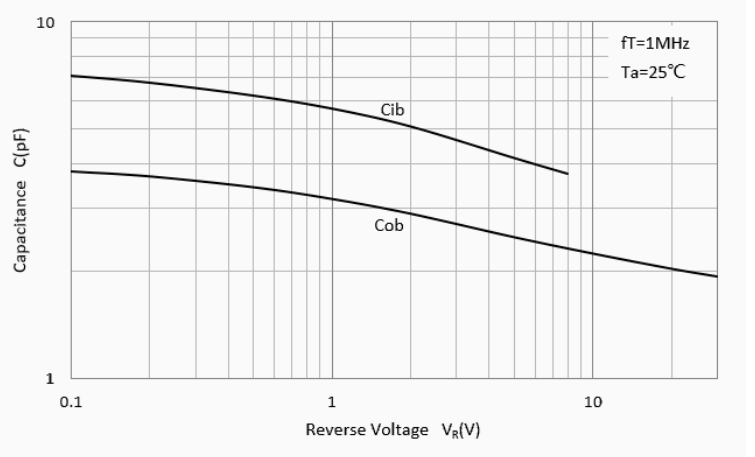
Base-Emitter Saturation Voltage



Base-Emitter On Voltage



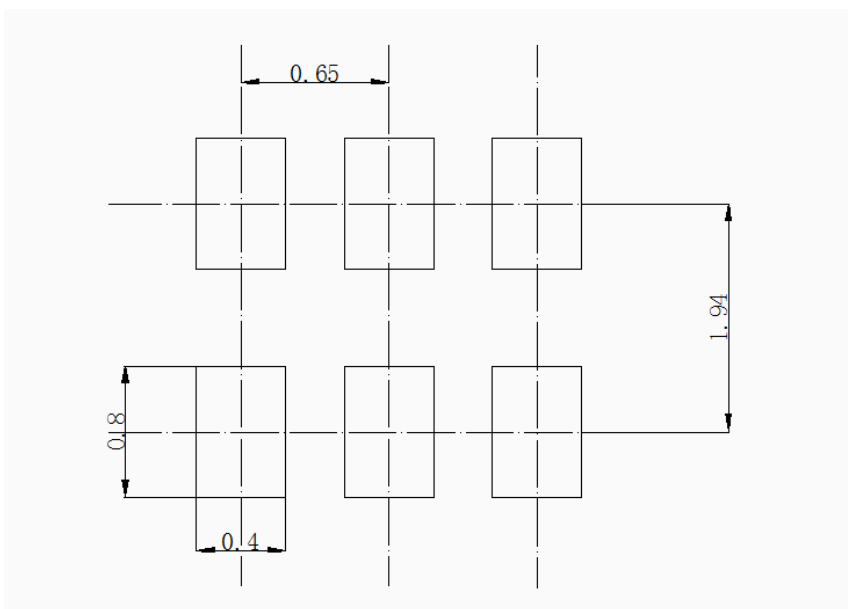
$C_{ob}/C_{ib}-V_{CB}/V_{EB}$





vSOT-363 Package Outline Dimensions

SOT-363 Soldering Footprint



Unit: mm



## Disclaimer

The information presented in this document is for reference only. Yangzhou Yangjie Electronic Technology Co., Ltd. reserves the right to make changes without notice to the specification of the products displayed herein to improve reliability, function, design or otherwise.

The product listed herein is designed to be used with ordinary electronic equipment or devices, and not designed to be used with equipment or devices which require high level of reliability and malfunction of which could directly endanger human life (such as medical instruments, transportation equipment, aerospace machinery, nuclear-reactor controls, fuel controls and other safety devices), Yangjie or anyone on its behalf, assumes no responsibility for any damages resulting from such improper use of sale.

This publication supersedes & replaces all information previously supplied. For additional information, please visit our website [http:// www.21yangjie.com](http://www.21yangjie.com) , or consult your nearest Yangjie sales office for further assistance.