

Dual PNP Small Signal Transistor



Features

- Epoxy meets UL-94 V-0 flammability rating
- Surface mount package ideally Suited for Automatic Insertion
- PNP

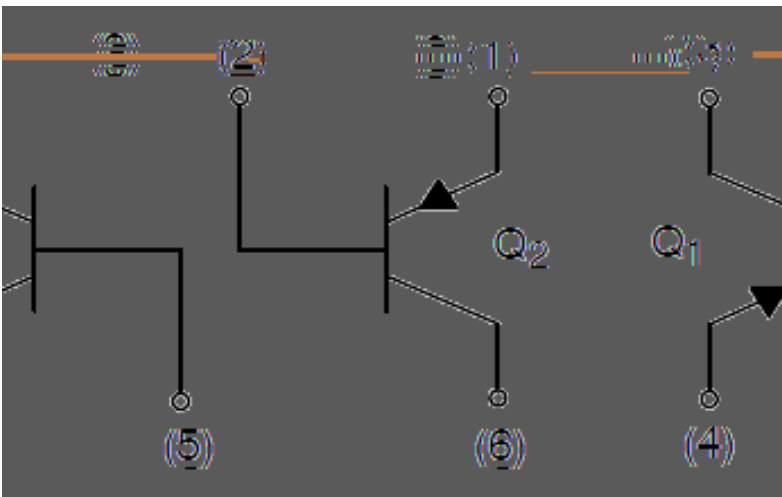
Mechanical Data

Package: SOT-363

Terminals: Tin plated leads, solderable per J-STD-002 and JESD22-B102

Marking: 5Ft

Equivalent circuit





BC856BS

Maximum Ratings (Ta=25 Unless otherwise specified Å

Q1&Q2-PNP

Item	Symbol	Unit	Conditions	Value
Collector-Base Voltage	VCBO	V	IC=-10µA,IE=0	-80
Collector-Emitter Voltage	VCE0	V	IC=-10mA,IB=0	-80

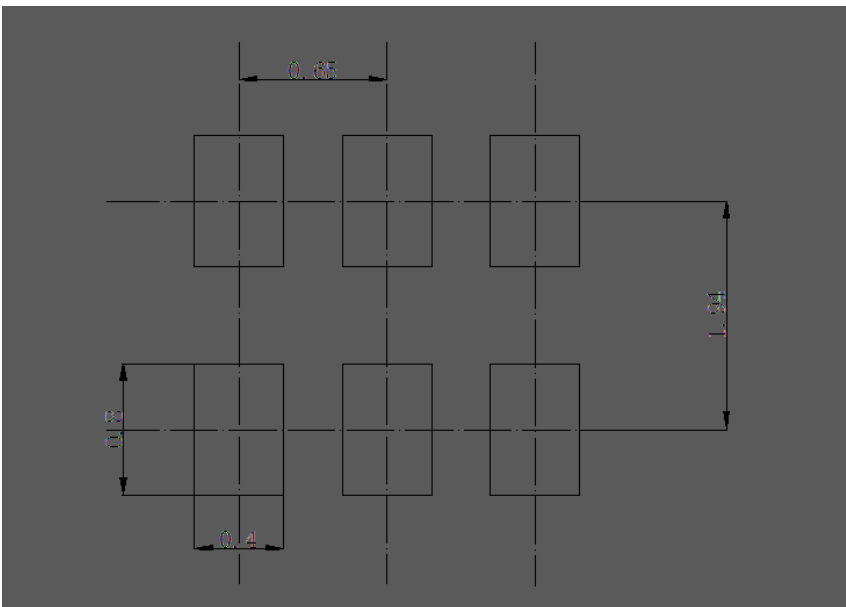


BC856BS

SOT-363 Package Outline Dimensions



SOT-363 Suggested Pad Layout



Unit Ömm

