

Epoxy meets UL-94 V-0 flammability rating and halogen free  
Moisture Sensitivity Level 1

$V_{RRM}$  70V

$I_{FAV}$  70mA

Part no. with suffix "Q" means AEC-Q101 qualified

Automotive

: SOD-323

: Tin plated leads, solderable per  
J-STD-002 and JESD22-B102

( $T_a=25$  Unless otherwise specified)

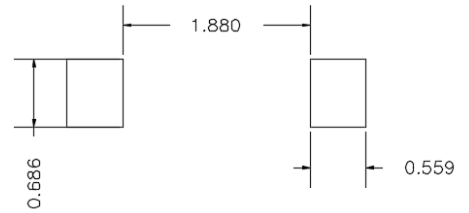
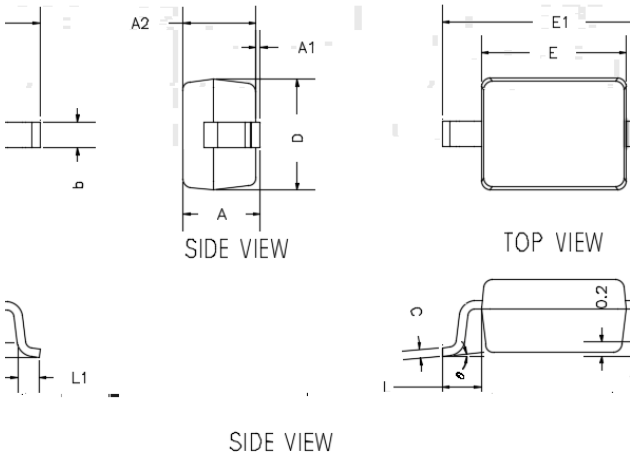
Parameter	Symbol	Unit	Value	Notes
Repetitive Peak Reverse Voltage	$V_{RRM}$	V	70	
Average Forward Current	$I_{FAV}$	mA	70	
Peak Forward Surge Current	$I_{FSM}$	A	3	$t=8.3ms$
Power Dissipation	$P_{tot}$	mW	250	
Thermal Resistance Junction to Ambient	$R_{thJA}$	K/W	500	
Junction Temperature	$T_j$		-55 to +150	
Storage Temperature Range	$T_{stg}$		-55 to +150	

$T_a=25$  Unless otherwise specified

Parameter	Symbol	Unit	Value	Notes
Forward Voltage	$V_F$	V	$I_F=1mA$	0.41
			$I_F=15mA$	1
Reverse Current	$I_R$	$\mu A$	0.2	$V_R=50V$
Breakdown Voltage	$V_{BR}$	V	70	$I_R=10\mu A$
Junction Capacitance	$C_J$	pF	4	$V_R=0V, f=1MHz$
Reverse Recovery Time	$t_{rr}$	ns	5	$I_F=I_R=10mA, I_{rr}=1mA, R_L=100$




S02-333



UNIT: mm

SUGGESTED SOLDER PAD LAYOUT

DIMENSIONS				
DIM	INCHES		MM	
	MIN	MAX	MIN	MAX
A	---	0.0393	---	1.0000
A1	0.0000	0.0039	0.0000	0.1000
A2	0.0314	0.0354	0.8000	0.9000
b	0.0098	0.0157	0.2500	0.4000
c	0.0031	0.0059	0.0800	0.1500
D	0.0472	0.0551	1.2000	1.4000
E	0.0629	0.0709	1.6000	1.8000
E1	0.0984	0.1063	2.5000	2.7000
L	0.0187TYP		0.475TYP	
L1	0.0098	0.0157	0.250	0.400
e	C°	8°	C°	8°



Note:

1. All marking is at middle of the product body
2. All marking is in laser marking
3. Body color: Black

