

**SOD323**

$V_{RRM}$  40V  
 $I_{FAV}$  200mA  
 Part no. with suffix "Q" means AEC-Q101 qualified

**Mechanical Data**

**Case:** SOD323  
**Terminals:** Tin plated leads, solderable per J-STD-002 and JESD22-B102  
**Polarity:** Cathode line denotes the cathode end  
**Marking:** 43

**Maximum Ratings** ( $T_a=25$  Unless otherwise specified)

PARAMETER	SYMBOL	UNIT	CONDITIONS	VALUE
Repetitive Peak Reverse Voltage	$V_{RRM}$	V		40
Average Forward Current	$I_{FAV}$	mA		200
Peak Forward Surge Current	$I_{FSM}$	A	Square wave tp $\leq 10$ ms	0.6
Power Dissipation	$P_{tot}$	mW		250
Thermal Resistance Junction To Ambient air	$R_{thJA}$	K/W		500
Junction Temperature	$T_j$			-55 to +150
Storage Temperature Range	$T_{stg}$			-55 to +150

**Electrical Characteristics** ( $T_a=25$  Unless otherwise specified)

	SYMBOL	UNIT	CONDITIONS	MIN	MAX
	$V_F$	V	$I_F=1$ mA		0.37
			$I_F=40$ mA		1
	$I_R$	$\mu$ A	$V_R=30$ V		0.5
Reverse Breakdown Voltage	$V_{BR}$	V	$I_R=10$ $\mu$ A	6	
					5
Reverse Recovery Time	$t_{rr}$	ns	$I_F=I_R=5$ mA, $I_{rr}=0.1I_R$ , $R_L=100$		5



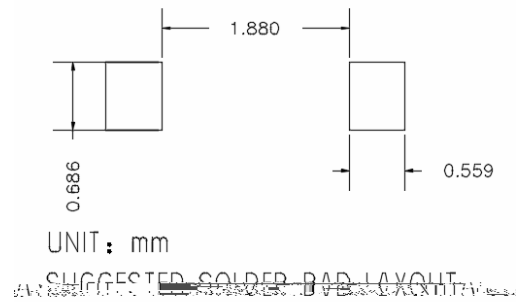
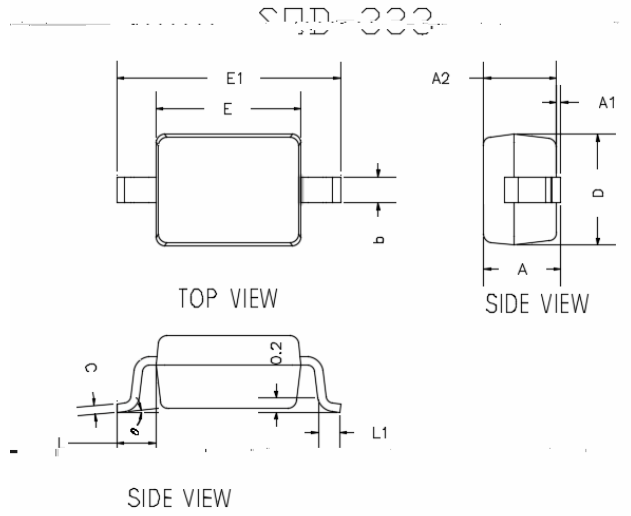
## Ordering Information (Example)

PREFERRED P/N	PACKING CODE	
---------------	-----------------	--



# BAS40WSQ

## Outline Dimensions



DIMENSIONS				
DIM	INCHES		MM	
	MIN	MAX	MIN	MAX
A	---	0.0393	---	1.0000
A1	0.0000	0.0039	0.0000	0.1000
A2	0.0314	0.0354	0.8000	0.9000
b	0.0098	0.0157	0.2500	0.4000
D	0.0472	0.0551	1.2000	1.4000
E	0.0629	0.0709	1.6000	1.8000
E1	0.0984	0.1063	2.5000	2.7000
L	0.0187 TYP		0.475 TYP	
L1	0.0098	0.0157	0.250	0.400
e	0°	8°	0°	8°

## Marking Information



### Note:

1. All marking is at middle of the product body
2. All marking is in laser marking
3. Body color: Black

# BAS40WSQ

---

## Disclaimer

The information presented in this document is for reference only. Yangzhou Yangjie Electronic Technology Co., Ltd. reserves the right to make changes without notice for the specification of the products displayed herein to improve reliability, function or design or otherwise.

The product listed herein is designed to be used with automotive electronics. It is not designed for use in medical, life saving, lifesustaining, or military. Yangjie or anyone on its behalf, assumes no responsibility or liability for any damages resulting from such improper use of sale.

This publication supersedes & replaces all information previously supplied. For additional information, please visit our website [http:// www.21yangjie.com](http://www.21yangjie.com) , or consult your nearest Yangjie's sales office for further assistance.