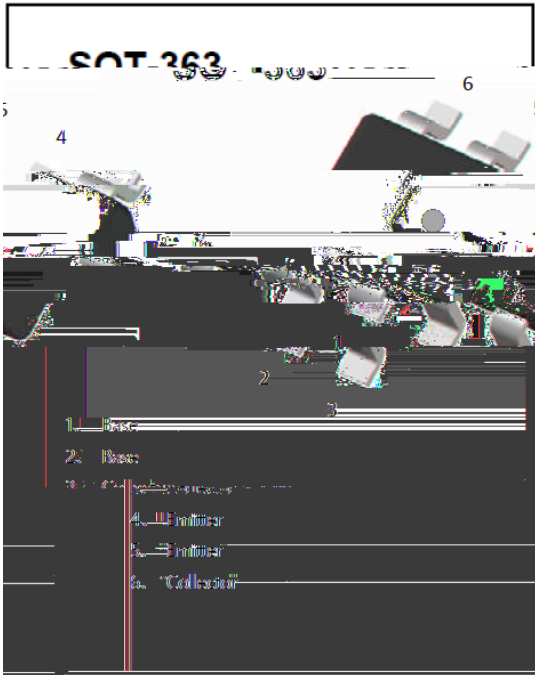


8AAH'-\$ (E'

.....8 i U`BDB`G a U``G][bU`HfUbg]ghcf`



: YUh i fYg`

- Epoxy meets UL-94 V-0 flammability rating
- Moisture Sensitivity Level 1
- Surface mount package ideally Suited for Automatic Insertion
- Reduces number of components and board space
- Part no. with suffix "Q" means AEC-Q101 qualified

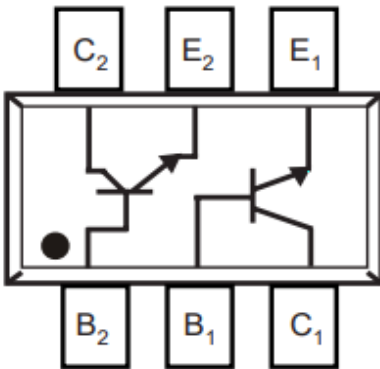
5dd`]WUh]cb`

General-purpose switching and amplification

AYW\Ub]WU`8UhU`

- DUW_U[Y. SOT-363
- HYf a]bU`g. Tin plated leads, solderable per J-STD-002 and JESD22-B102
- AUf_]b[. `K4A`

9e i]jU`Ybh`W]fw i]h`



CfXYf]b [`=bZcf a Uh]cb (Example)

DF9: 9F98`D#B`	D57 ?=B ; 7C89`	IB-H`K9=; <Hfl[L`	A=B=A I A` D57 ? 5 ; 9fidWgt.	=BB9F`6CL` E I 5BH=HMfidWgt.	C I H9F`75FHCB` E I 5BH=HMfidWgt.	89@=J9FM`AC89`
DMMT3904Q	F2	Approximate 0.009g	3000	30000	120000	7" reel



8AAH'-(E'

AUI]a i a 'FUh]b[g'(Ta=25 Unless otherwise specified

Parameter	Symbol	Unit	Value
Collector-Base Voltage	V_{CBO}	V	60
Collector-Emitter Voltage	V_{CEO}	V	40
Emitter-Base Voltage	V_{EBO}	V	5
Collector Current	I_C	mA	200
Power Dissipation (*)	P_D	mW	200
Junction Temperature	T_j		-55 to +150
Storage Temperature	T_{stg}		-55 to +150

(*) Device mounted on FR-4 PCB 1.0 x 1.0 x 0.06 inch

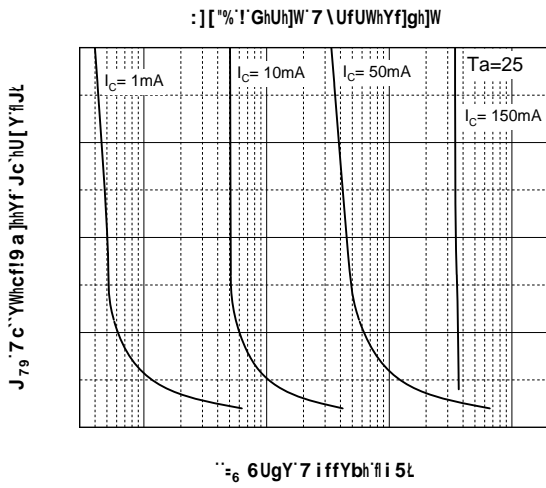
9`YWhf]WU`7 \UfUWhYf]gh]Wg (Ta=25 unless otherwise specified)

Parameter	Symbol	Unit	Value	HMD'	AUI'
Collector-base breakdown voltage	V_{CBO}	V	$I_C=10\mu A, I_E=0$	-	-
Collector-emitter breakdown voltage	V_{CEO}	V	$I_C=10\text{mA}, I_B=0$	-	-
Emitter-base breakdown voltage	V_{EBO}	V	$I_E=10\mu A, I_C=0$	-	-
Base Cutoff Current	I_{BL}	nA	$V_{CE}=20V, V_{EB(OFF)}=3V$	-	50
Collector Cutoff Current	I_{CEX}	nA	$V_{CE}=30V, V_{EB(OFF)}=3V$	-	50
DC current gain	h_{FE1}		$V_{CE}=1V, I_C=0.1\text{mA}$	-	-
	h_{FE2}		$V_{CE}=1V, I_C=1\text{mA}$	-	-
	h_{FE3}		$V_{CE}=1V, I_C=10\text{mA}$	-	300
	h_{FE4}		$V_{CE}=1V, I_C$	-	-



8AAH' -\$(E'

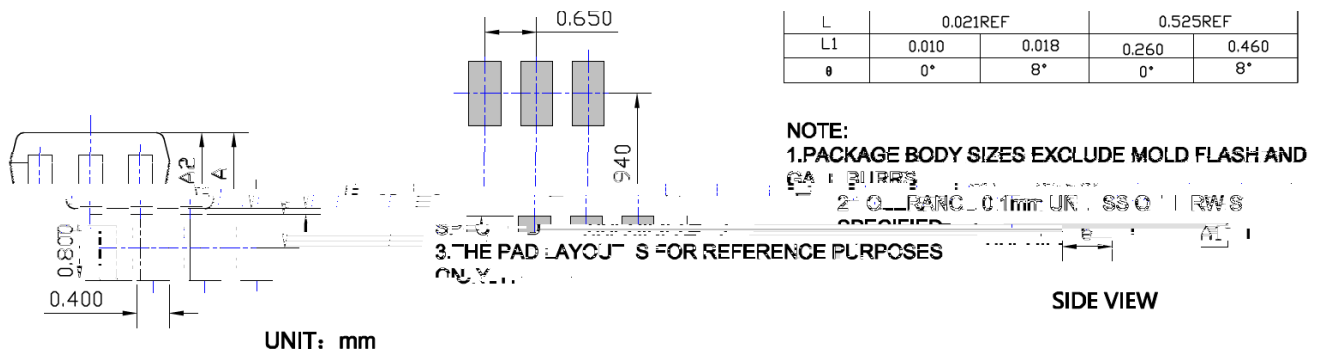
7 \UfUWhYf]gh]Wg (Typical)





8AAH' -\$(E'

GCH!' * ' 'DUW_U[Y'C i h`]bY'8]a Ybg]cbg' / 'Gi [[YghYX'DUX'@Umc i h'



SUGGESTED SOLDER PAD LAYOUT



8AAH' -\$(E'

8]gW'U]a Yf'

The information presented in this document is for reference only. Yangzhou Yangjie Electronic Technology Co., Ltd. reserves the right to make changes without notice for the specification of the products displayed herein to improve reliability, function or design or otherwise.

The product listed herein is designed to be used with automotive electronics are not designed for use in medical, life-saving, lifesustaining, or military, Yangjie or anyone on its behalf, assumes no responsibility or liability for any damages resulting from such improper use of sale.

This publication supersedes & replaces all information previously supplied. For additional information, please visit our website [http:// www.21yangjie.com](http://www.21yangjie.com) , or consult your nearest Yangjie's sales office for further assistance.