



YJQ5D7G04HHQ

N-Channel Enhancement Mode Field Effect Transistor

Product Summary

General Description

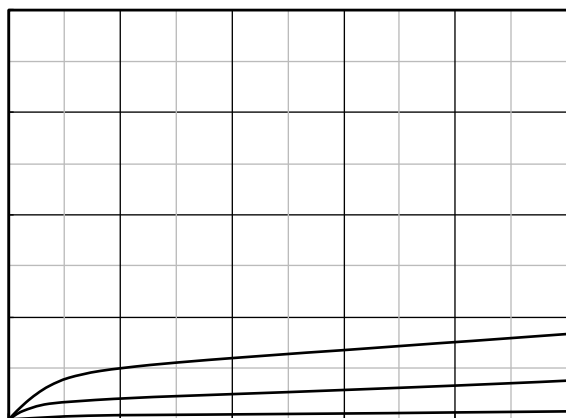
Applications

Absolute Maximum Ratings

Parameter	Symbol	Limit	Unit

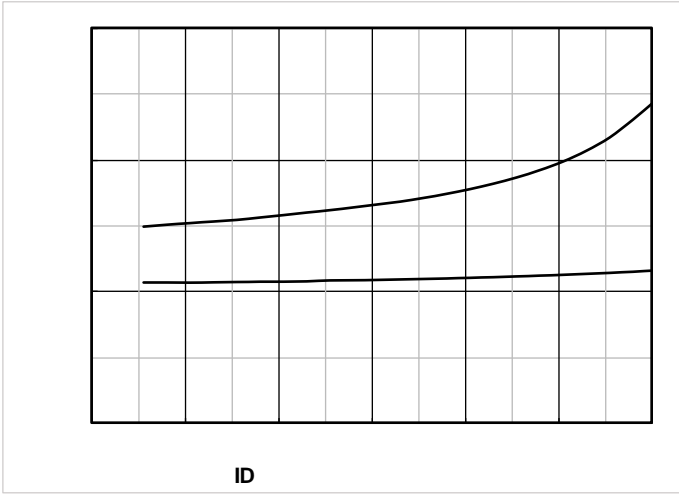


Typical Electrical and Thermal Characteristics Diagrams



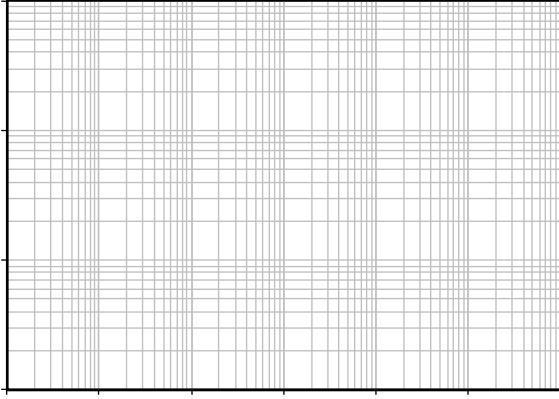


YJQ5D7G04HHQ



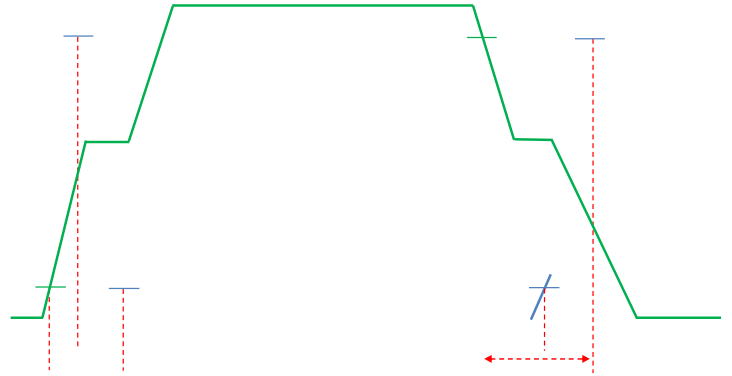
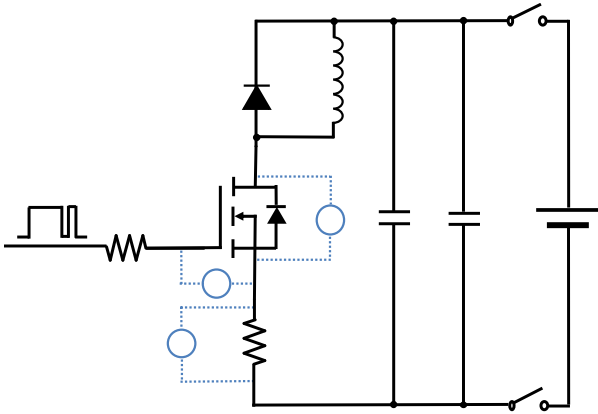
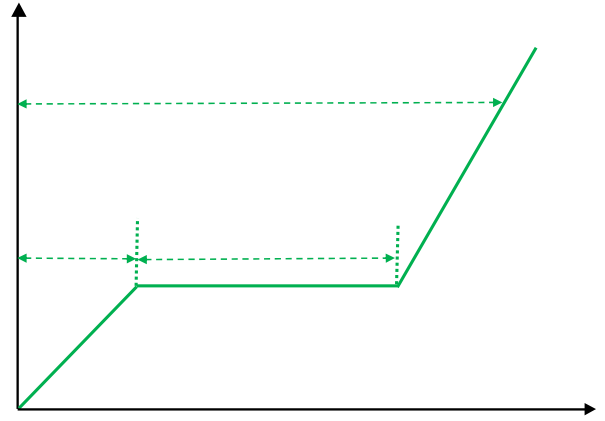
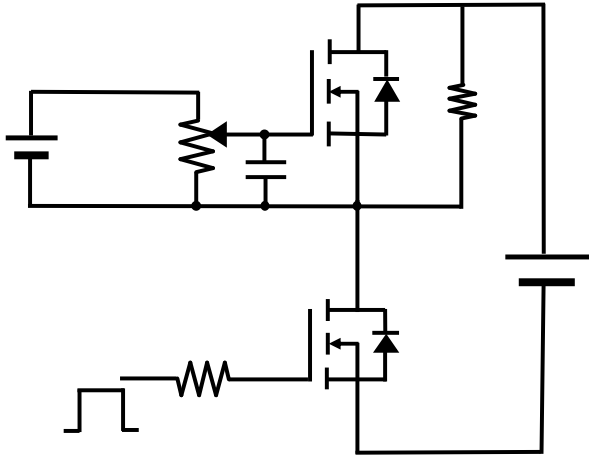


YJQ5D7G04HHQ





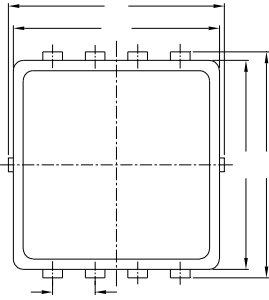
YJQ5D7G04HHQ



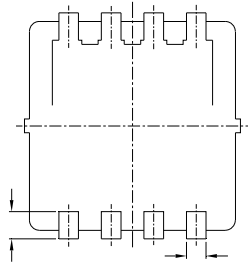


YJQ5D7G04HHQ

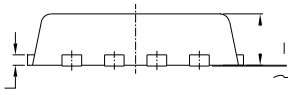
PDFN3333-8L-B-0.75MM Package information



TOP VIEW



BOTTOM VIEW



SIDE VIEW

SUGGESTED SOLDER PAD LAYOUT



YJQ5D7G04HHQ

Disclaimer



YJQ5D7G04HHQ
