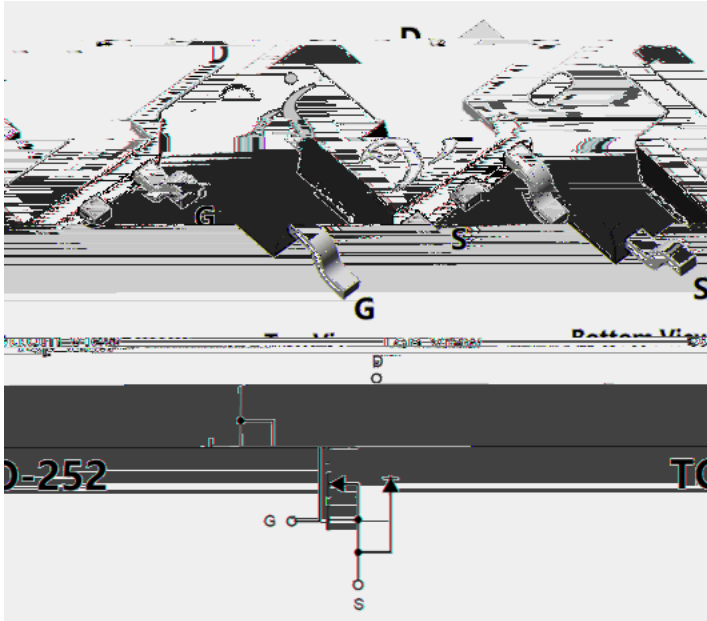




N-Channel Enhancement Mode Field Effect Transistor



Product Summary

" 9₆ 9
 " ' \$
 " 5₆ 2₁ DW 9 9 Ø P
 " 5₆ 2₁ DW 9 9 Ø P
 " (\$ 6 7HVWHG
 " j 9₆ 7HVWHG

General Description

" ([FHOHQW S DFNHW HGLR VLSDWLRQ
 " +LJK GHQVLW\ FHOQ GHVLJQ IRU ORZ 5
 " 0RLVWXUH 6HQVLWLYLW\ /HYHO
 " (SR[\ 0HHWV 8)ODPDELOLW\ 5DWLQJ
 " +DORJHQ)UHH
 " 3DUW QR ZLWRKHVXIVL\$(& 4 TXDOLILHG

1

J125 XQOHVV RWKHUZZLVH QRWHG

Parameter	Symbol	Limit	Unit
'UDLQ VRXUFH 9ROWDJH	9 ₆		9
*DWH VRXUFH 9ROWDJH	9 ₆	9 "	9
&RQWLQRRXV 'UDLQ &XUHQW 1RWH	7 _s - 6WHDG\ 6WDWH		\$
&RQWLQRRXV 'UDLQ &XUHQW 1RWH	7 _s - 6WHDG\ 6WDWH		
&RQWLQRRXV 'UDLQ &XUHQW 1RWH	7 _s - 6WHDG\ 6WDWH		
&RQWLQRRXV 'UDLQ &XUHQW 1RWH	7 _s - 6WHDG\ 6WDWH		
3XOVHG 'UDLQ &XUHQW VV -V	7 _s - 6WHDG\ 6WDWH		\$
\$YDODQFKH HQUJ\ 9 9 5 / P+ , \$ 6 \$	(\$ 6		P-
7RWDO 3RZHU 'LVVLSDWLRQ 1RWH	7 _s - 6WHDG\ 6WDWH		:
7RWDO 3RZHU 'LVVLSDWLRQ 1RWH	7 _s - 6WHDG\ 6WDWH		
7RWDO 3RZHU 'LVVLSDWLRQ 1RWH	7 _s - 6WHDG\ 6WDWH		
7RWDO 3RZHU 'LVVLSDWLRQ 1RWH	7 _s - 6WHDG\ 6WDWH		
-XQFWLRQ DQG 6WRUDJH 7HPSHUDWXUH 5DQJH	7 _s - 6WHDG\ 6WDWH	7	-

Thermal resistance

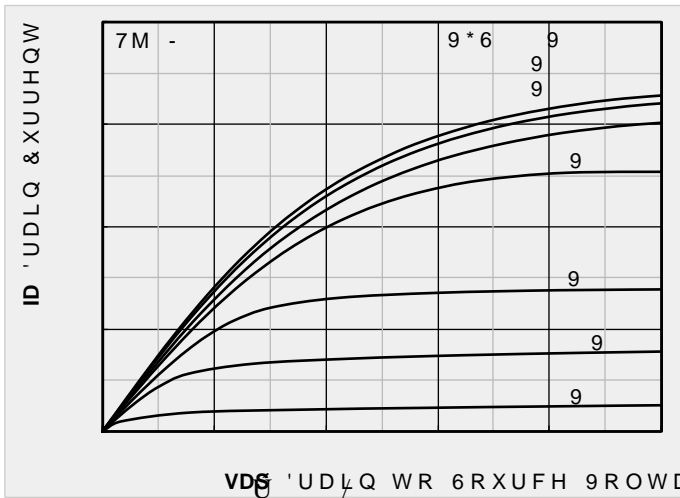
Parameter	Symbol	Typ	Max	Unit
7KHUPDO 5HVLVWDQFH -XQFWLRQ WR \$PELHQW 1RWH	6WHDG\ 6WDWH			-
7KHUPDO 5HVLVWDQFH -XQFWLRQ WR &DVH	6WHDG\ 6WDWH			5
	0DUNLQ	0,1,080	,11(5 %2; 3\$&.\$*(SFV	'(/,9(5< 02')
<-' * \$+4	<-' * \$			'5HHO



YJD017G10AHQ

Typical Electrical and Thermal Characteristics Diagrams

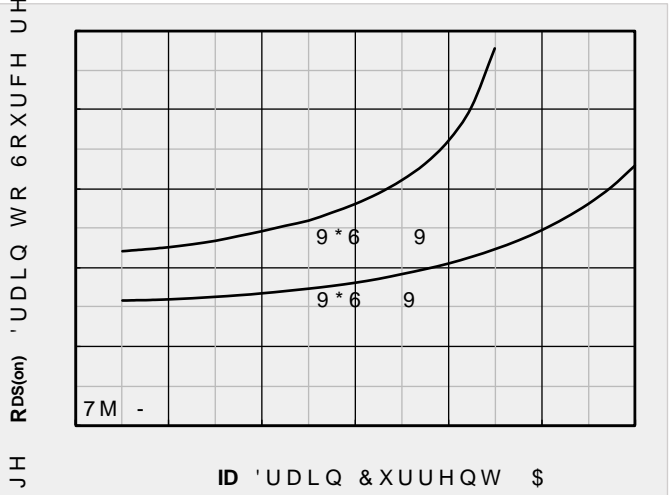
5



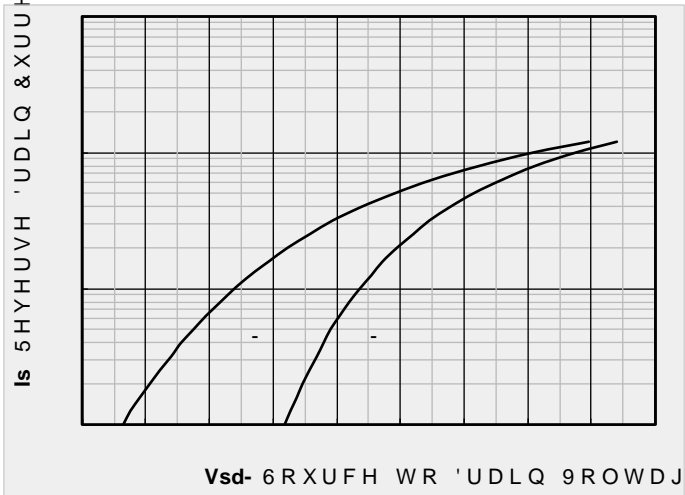
4 2 2



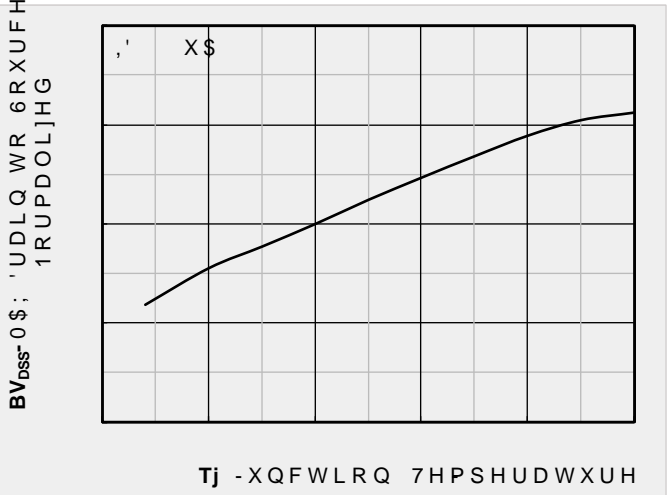
YJD017G10AHQ



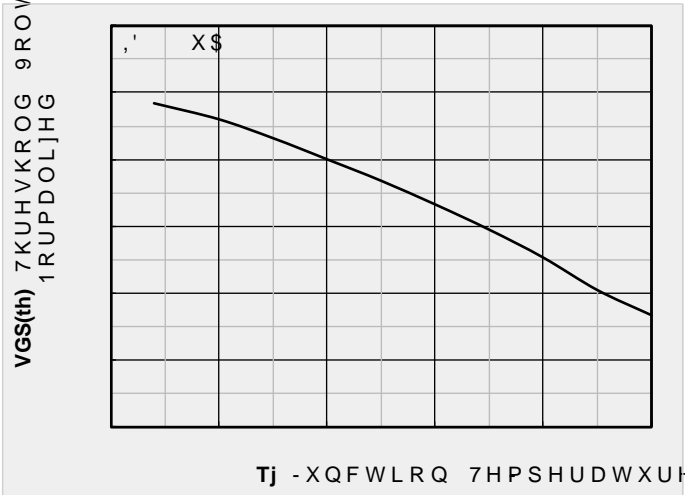
)LJXUH 6 RQ6 'UDLQ & XUHQW



)LJXUH 6 FKDV DRUWHUHLWLF G



)LJXUH 1RUPDOLJHG RDUWHUHLWLF



)LJXUH HG 7KHUHKROG YRQ

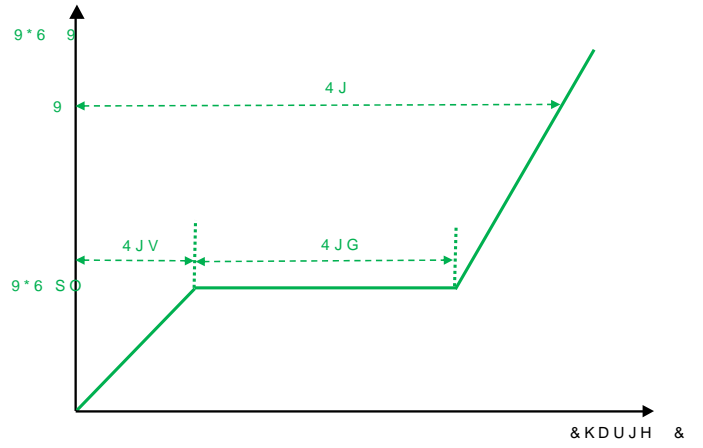
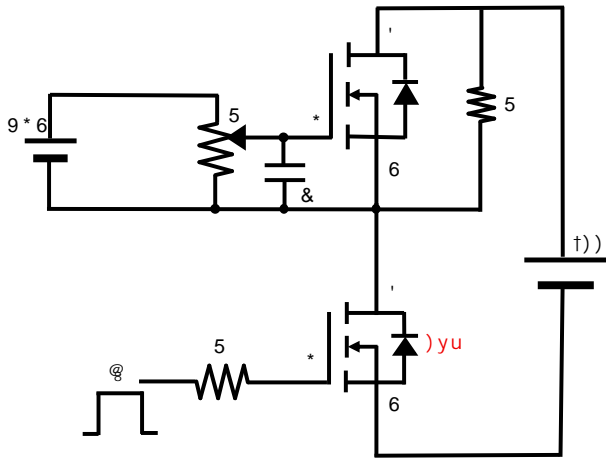




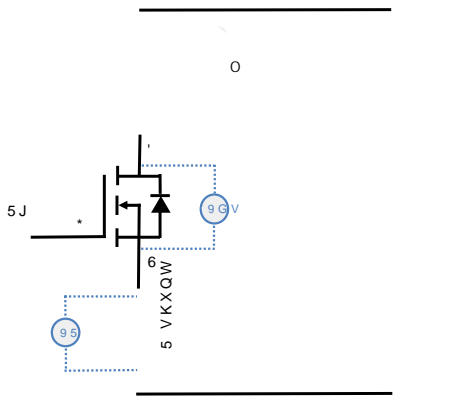
YJD017G10AHQ



YJD017G10AHQ



)LJXUH D%WH &KDUJHU F%VW & :DYHIRUP





vTO-252-B Package information

'0(16,216
 ,1&+(6
 120
 0,1
 6<0%2/
 \$
 \$
 \$
 E
 F
 .
 .
 (
 (

:56 </+=

9/*+ </+=

(5::53 </+=

'LVFODLPHU

7KH LQIRUPDWLRQ SUHVHQWHG LQ WKLV <DQJ> KRXVH QDQV MIRHU (WHIHFWURQ HFRQRQFHKQRQ
ULJKW WR PDNH FKDQJH RU ZWLVK RXSWHFKR SDURVGLXFWV RIGWVSOD\HG KHUHLQ WRGLHPSLURQY
RWKHU ZLVH

7KH SURGXFW OLVWJHGH HWIRIEQH LXV B GHZLW KHFWXUR RWRW DYU R UQRWH GLQV P JHGH FDO OLIH
VDYLQJ OLIHVXVWUDLQDQJMRH RUODLQDQD R QXIPMV ERKU DLSHQQLWLRW \DQW G Q P D U R
VXFK LPSURSHU XVH RI VDOH

7KLV SXEOLF DWLRQ SXOSSHUW DGHVLQURQ PDVXLSRQLSHGHYRUR XDGGLRQLRSDODVLRWRHULWWRSX
ZZZ \DQJMLHRURPRQVXOW \RXU QH DUHVW ApZ