

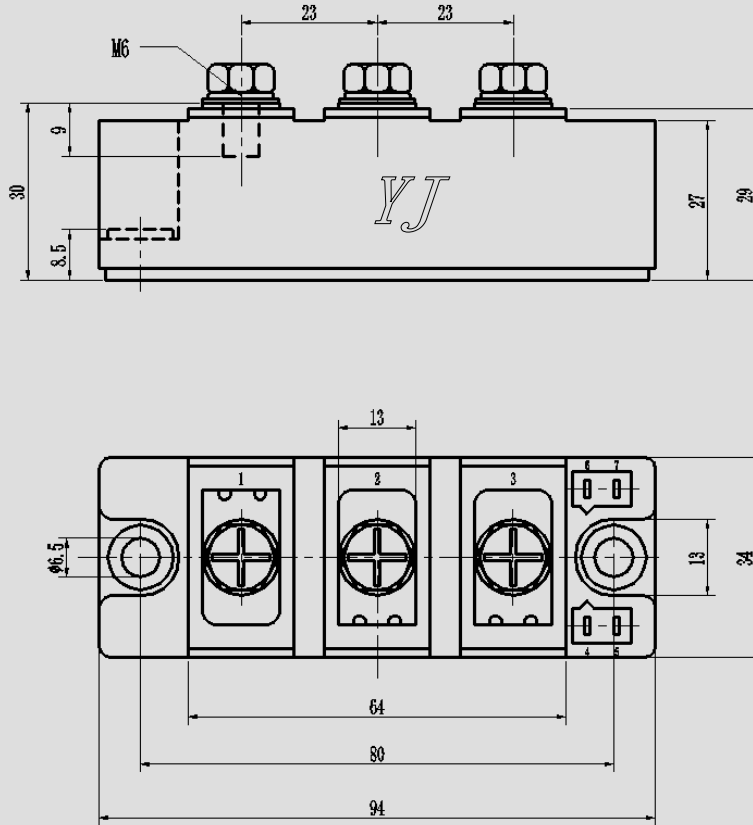


MF100C12F2N



Package Outline Information

CASE: F2N



Dimensions in mm