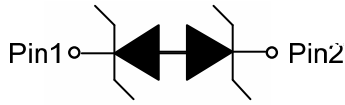


1-Line, Bi-directional, Transient Voltage Suppressor



Features

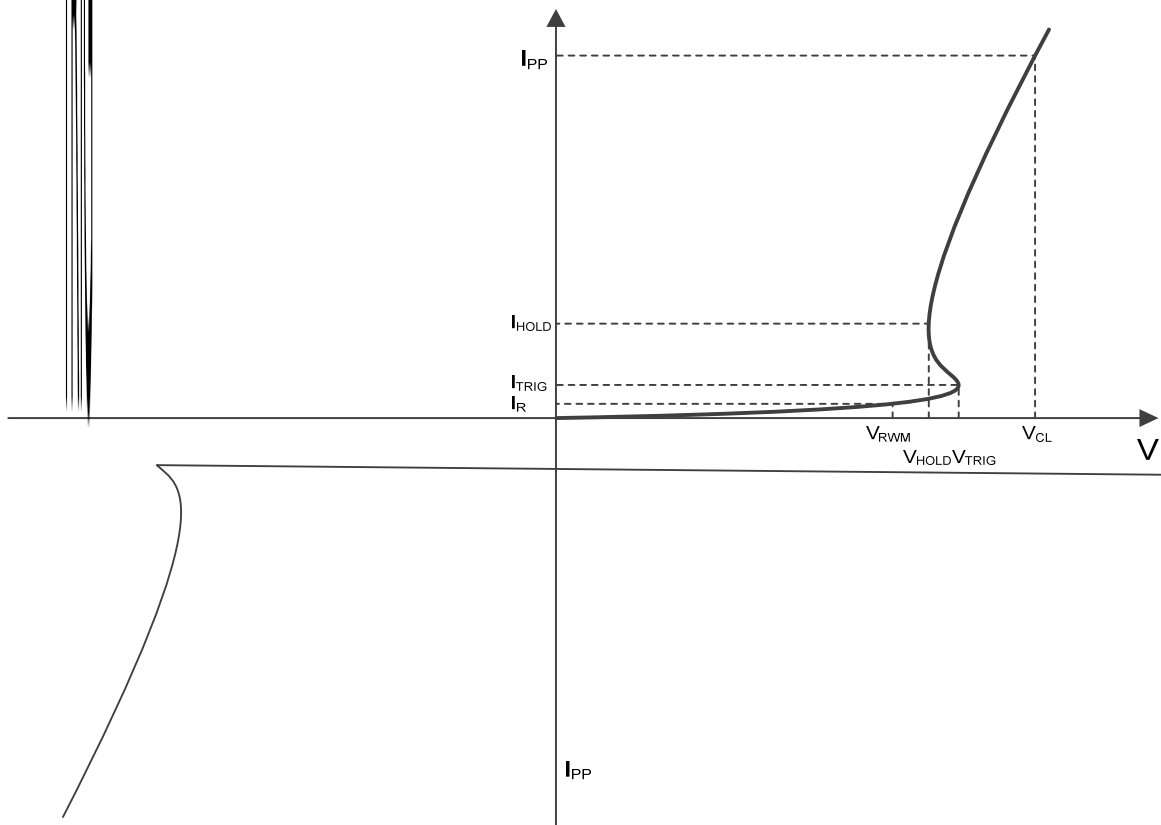
- High peak current capability
- Low leakage current
- Low capacitance
- Low inductance
- High reliability
- High efficiency
- High precision
- High accuracy
- High stability
- High performance
- High quality
- High durability
- High resistance
- High conductivity
- High permeability
- High ductility
- High malleability
- High formability
- High weldability
- High solderability
- High compatibility
- High interoperability
- High scalability
- High flexibility
- High adaptability
- High robustness
- High resilience
- High recoverability
- High sustainability
- High ethicality
- High legality
- High morality
- High integrity
- High honesty
- High transparency
- High accountability
- High responsibility
- High reliability
- High availability
- High maintainability
- High supportability
- High serviceability
- High usability
- High learnability
- High operability
- High portability
- High mobility
- High connectivity
- High interoperability
- High compatibility
- High scalability
- High flexibility
- High adaptability
- High robustness
- High resilience
- High recoverability
- High sustainability
- High ethicality
- High legality
- High morality
- High integrity
- High honesty
- High transparency
- High accountability
- High responsibility

Applications

Mechanical Data

- Package type
- Dimensions
- Weight
- Lead length
- Lead spacing
- Lead diameter
- Lead thickness
- Lead width
- Lead height
- Lead angle
- Lead position
- Lead orientation
- Lead direction
- Lead velocity
- Lead acceleration
- Lead deceleration
- Lead displacement
- Lead distance
- Lead time
- Lead delay
- Lead jitter
- Lead skew
- Lead latency
- Lead throughput
- Lead bandwidth
- Lead resolution
- Lead precision
- Lead accuracy
- Lead repeatability
- Lead consistency
- Lead reliability
- Lead availability
- Lead maintainability
- Lead supportability
- Lead serviceability
- Lead usability
- Lead learnability
- Lead operability
- Lead portability
- Lead mobility
- Lead connectivity
- Lead interoperability
- Lead compatibility
- Lead scalability
- Lead flexibility
- Lead adaptability
- Lead robustness
- Lead resilience
- Lead recoverability
- Lead sustainability
- Lead ethicality
- Lead legality
- Lead morality
- Lead integrity
- Lead honesty
- Lead transparency
- Lead accountability
- Lead responsibility

Definitions of electrical characteristics



F 0 1



ESD3V3LBA

Maximum Ratings

PARAMETER	SYMBOL	Rating	UNIT
P_{AV}	P_{AV}	1000	W
P_{PM}	P_{PM}	100	W

Notes: 1. Pulse width limited by SOA. 2. See Figure 1 for pulse waveform.

X

(6 ' 9 / % \$

'LVFODLPHU