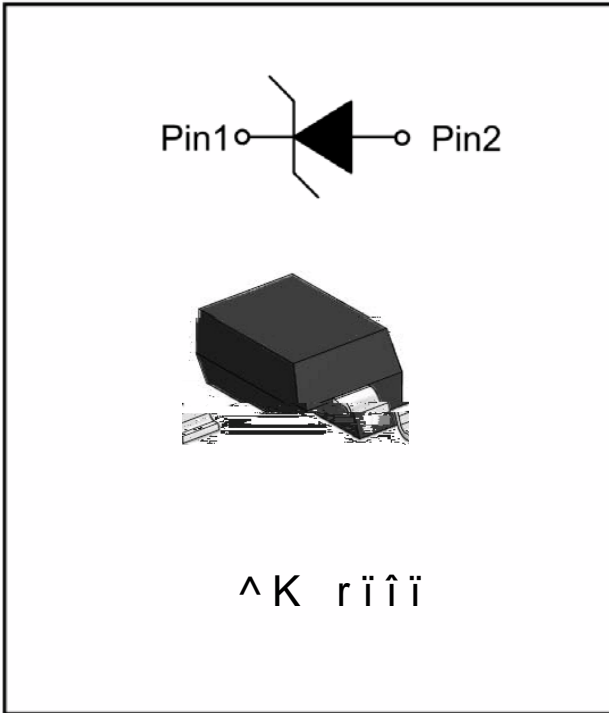


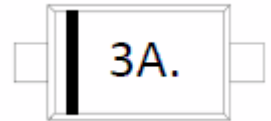
/LQH 8QL GLUHFWRQRQDO 7UDQVLHQW 9RO



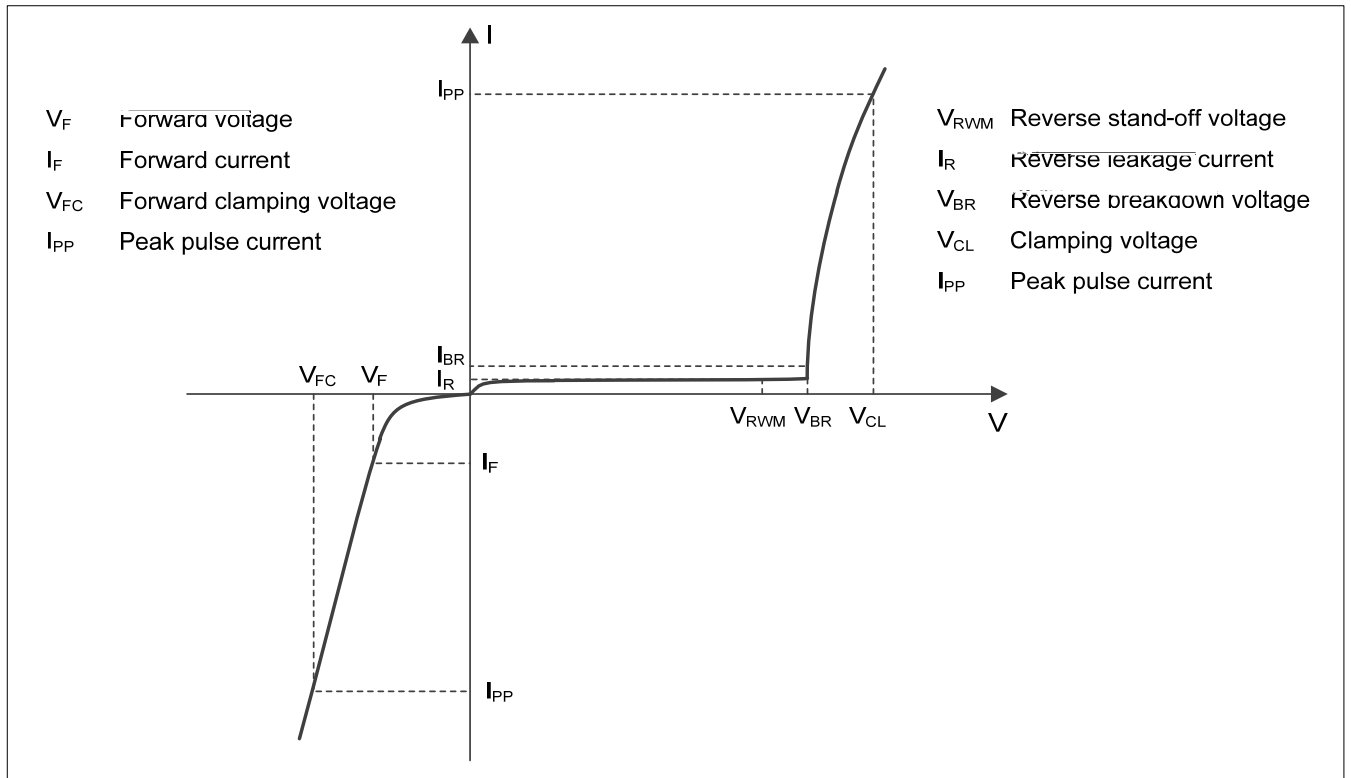
)HDWXUHV
 " 6WDQG RII YROWDJH 9 0D[
 " 7UDQVLHQW SURWHFWLRQ IRU HDFK O
 ,(& (6' " N9 FRQWDFW
 ,(& VXUJH \$ V
 " /RZ OHDNDJH FXUUHQW
 " 8OWUD ORZ FODPSLQJ YROWDJH
 " 5R+6 &RPSOLDQW

\$\$SOLFDFWRQV
 " &HOOXODU +DQGVHWV DQG \$FFHVVRUL
 " 3HUVRQDO 'LJLWDO \$VVLVWDQWV
 " 1RWHRRNV DQG +DQGGKHOGV
 " 3RUWDEOH ,QVWUXPHQWDFWRQ
 " 'LJLWDO &DPHUDV
 " 3HULSKHUDOV
 " \$XGLR 3OD\HUV

0HFKDQLFDO 'DWD
 " 3DFNDJH 62'
 " /HDG)LQLVK 0DWWH 7LQ
 " &DVH 0DWHULDO 3*UHHQ' 0ROGLQJ &R
 " 0RLVWXUH 6HQVLWLYLW\ /HYHO SHU
 " 0DUNLQJ WQLRQPHH %HORZ



V'HILQLWLRQV RI HOHFWULFDO FKDUDFWHULVWLFV





(6 ' 9 ' \$

V0D[LPXP 5DWLQJV

3\$5\$0(7(5	6<0%2/	/,0,76	81,7
3HDN SXOVH SRZHV W	3SN		:
3HDN SXOVHsFXUUHQW W	,33		
(6' DFFRUGLQJ WR ,(& DLU GLVFKDUJH	9(6' GLVFKDUJH	"	.9
(6' DFFRUGLQJ WR ,(& FRQWDFW		"	
-XQFWLRQ WHPSHUDWXUH	-	ā	R&
6WRUDJH WHPSHUDWXUH	67*	7a	R&

v(OHFWULFDO &KDUDFWHULVWLFV

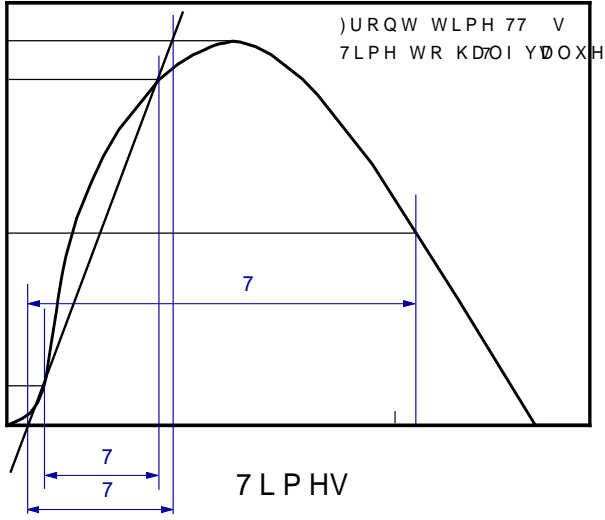


(6 ' 9 ' \$

3 HDN SXOVH FXUUHQW

v & KDUDFWHULVWLFV 7 \ SLFDO

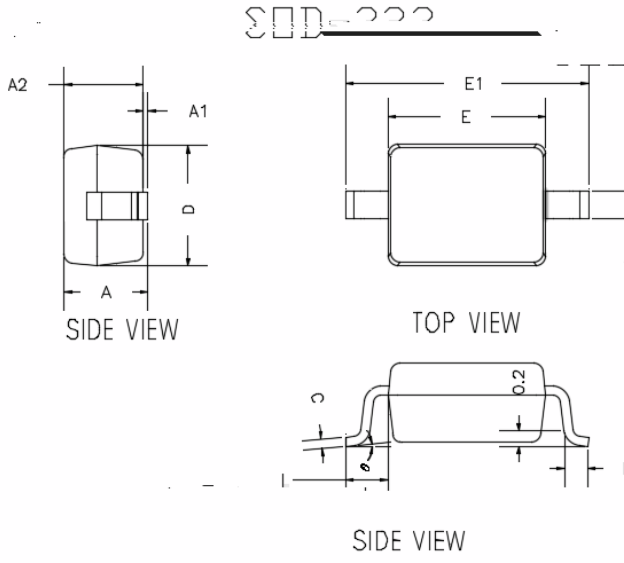
) LJ V ZDYFISHRW , (&





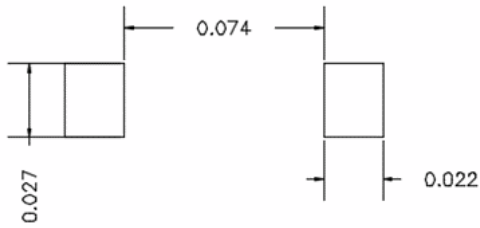
(6 ' 9 ' \$

v 2XWOLQH 'LPHQVLRQV



DIMENSIONS				
DIM	INCHES		MM	
	MIN	MAX	MIN	MAX
A	---	0.0393	---	1.0000
0.0000	0.0039	0.0000	0.1000	A1
0.0314	0.0354	0.8000	0.9000	A2
0.0098	0.0157	0.2500	0.4000	b

v 6ROGHULQJ)RRWSULQW



UNIT: inch

SUGGESTED COORDINATE LAYOUT



(6 ' 9 ' \$

'LVFODLPHU

7KH LQIRUPDWLRQ SGRV ~~MDMCHG~~ LQ IR ~~WLV~~ ~~DIHJ~~ ~~KRKH~~ ~~BQJMLH~~ (OHFWURQLF 7HFKQRO
ULJKW WR PDNH FKDLQJH VRZLWKR XWS ~~QRLS~~ ~~WURDG~~ ~~XIERQ~~ / RGLWSOD\HG KHUHLQ WURGLPVLWJRY
RU RWKHUZLVH

7KH SURGXFW OLVWHG KHUHLQ LV GHV ~~HW~~ ~~GR~~ ~~FE~~ ~~HTXL~~ ~~IS~~ ~~B~~ ~~HZL~~ ~~W~~ ~~KR~~ ~~UR~~ ~~LG~~ ~~HY~~ ~~Q~~ ~~D~~ ~~F~~ ~~U~~ ~~V~~ ~~W~~ ~~D~~ ~~Q~~ ~~G~~
HTXLSPHQW RU GHYLFHV ZKLFK UHT ~~SLW~~ ~~K~~ ~~HK~~ ~~P~~ ~~D~~ ~~O~~ ~~O~~ ~~X~~ ~~H~~ ~~Y~~ ~~F~~ ~~H~~ ~~O~~ ~~G~~ ~~R~~ ~~Q~~ ~~U~~ ~~R~~ ~~H~~ ~~O~~ ~~E~~ ~~M~~ ~~D~~ ~~N~~ ~~L~~ ~~O~~ ~~R~~ ~~V~~ ~~S~~ ~~O~~ ~~D~~ ~~O~~ ~~X~~ ~~F~~ ~~H~~ ~~K~~ ~~O~~ ~~X~~ ~~P~~ ~~D~~
PHGLFDO LQVWUXPH ~~Q~~ ~~W~~ ~~V~~ ~~H~~ ~~T~~ ~~W~~ ~~L~~ ~~S~~ ~~P~~ ~~H~~ ~~S~~ ~~V~~ ~~R~~ ~~U~~ ~~D~~ ~~H~~ ~~U~~ ~~R~~ ~~V~~ ~~S~~ ~~O~~ ~~X~~ ~~F~~ ~~H~~ ~~O~~ ~~D~~ ~~E~~ ~~K~~ ~~U~~ ~~D~~ ~~F~~ ~~W~~ ~~R~~ ~~L~~ ~~O~~ ~~F~~ ~~R~~ ~~E~~ ~~Q~~ ~~D~~ ~~O~~ ~~U~~ ~~R~~ ~~G~~ ~~R~~ ~~O~~ ~~B~~ ~~O~~ ~~D~~ ~~H~~ ~~U~~ ~~V~~ ~~I~~
GHYLFHV <DQJMLH RU DQ\ RQH RQ LW\OE ~~M~~ ~~K~~ ~~D~~ ~~R~~ ~~O~~ ~~J~~ ~~O~~ ~~D~~ ~~V~~ ~~E~~ ~~X~~ ~~P~~ ~~H~~ ~~L~~ ~~W~~ ~~Q~~ ~~R~~ ~~R~~ ~~U~~ ~~H~~ ~~D~~ ~~S~~ ~~R~~ ~~Q~~ ~~D~~ ~~E~~ ~~B~~ ~~J~~ ~~K~~ ~~V~~ ~~H~~ ~~V~~
RI VDOH

7KLV SXEOLFDWLRQ ~~Q~~ ~~S~~ ~~O~~ ~~C~~ ~~S~~ ~~F~~ ~~H~~ ~~U~~ ~~D~~ ~~O~~ ~~V~~ ~~L~~ ~~Q~~ ~~U~~ ~~R~~ ~~O~~ ~~P~~ ~~D~~ ~~X~~ ~~S~~ ~~L~~ ~~S~~ ~~Q~~ ~~L~~ ~~S~~ ~~G~~ ~~H~~ ~~Y~~ ~~R~~ ~~U~~ ~~X~~ ~~D~~ ~~G~~ ~~G~~ ~~L~~ ~~W~~ ~~R~~ ~~Q~~ ~~D~~ ~~O~~ ~~L~~ ~~Q~~ ~~W~~ ~~H~~ ~~J~~ ~~P~~ ~~D~~ ~~W~~ ~~L~~ ~~R~~
KW ~~W~~ ~~S~~ ~~Z~~ \DQJMLH ~~R~~ ~~R~~ ~~R~~ ~~F~~ ~~R~~ ~~Q~~ ~~V~~ ~~X~~ ~~O~~ ~~W~~ \RXU QHDUHVW <DQJMLH ~~V~~ ~~M~~ ~~J~~ ~~D~~ ~~Q~~ ~~F~~ ~~D~~ ~~H~~ ~~O~~ ~~H~~ ~~V~~ RILFH IRU IXUW